

auto electrical parts

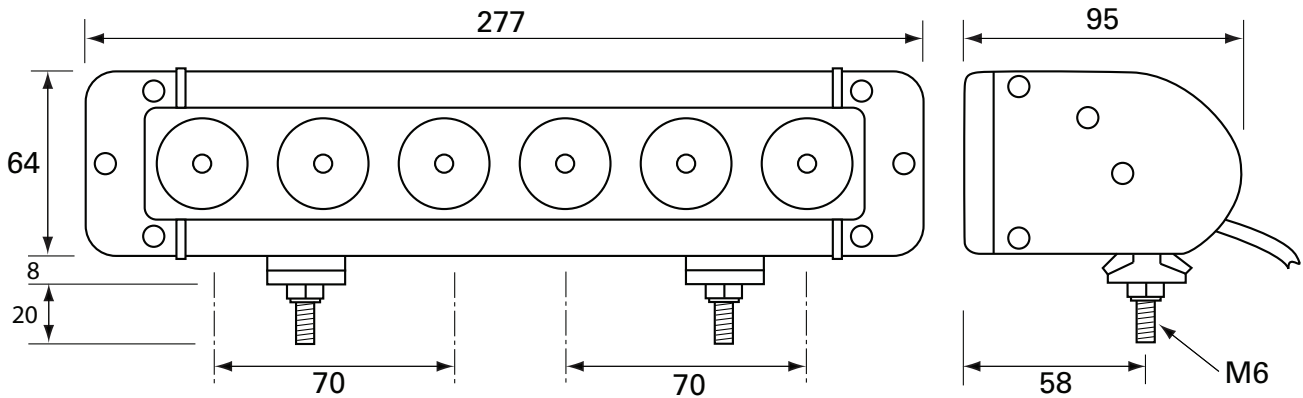
Technical Information Sheet

Part No. 0-420-90

A very powerful 6 x 10 watt 12/48 volt CREE LED flood light bar. Black die cast aluminium housing with polycarbonate lens, 2 bolt tilt fixing bracket and flying lead with sealed connector socket/plug. Protected to IP67. 1 277 x w 95 x h 64mm



Technical Drawing (not to scale)



Specification

Type	LED work lamp bar
Voltage	10-60 volt dc
Current	2.5 amp at 12 volt dc
LEDs	6 x 10W CREE LEDs
Light intensity	4050 lumen
Housing	Die cast aluminium
Lens	Polycarbonate
Degree of protection	IP67
Operating temperature	-40°C to +60°C
Weight	1.46kg
Dimensions	1 277 x w 95 x h 64mm

The information contained in this document is correct to the best of our knowledge at the time of printing. However, specifications may change at any time without notice.